



OUTDOOR THERMAL MONOCULAR

# FLIR Scion™ OTM

The FLIR Scion™ OTM leverages high-performance thermal imaging and a refined user interface to quickly detect objects of interest and provide superior awareness in low visibility conditions. Built around FLIR's powerful Boson core, the Scion OTM produces smooth thermal imaging up to 60 Hz and captures geotagged video and still images for playback long after the day is done. A rugged, IP67-rated housing and intuitive controls allow single-hand operation in harsh weather conditions, maintaining reliable thermal imaging in the most demanding outdoor environments.

[www.flir.com](http://www.flir.com)



## ONBOARD VIDEO AND IMAGE RECORDING

Revisit every wildlife encounter in sharp, smooth thermal imaging

The Scion OTM is ready to capture any wildlife encounter with onboard video and image recording. Smooth 60 Hz thermal imaging preserves details on moving objects while internal storage and a built-in microSD™ card slot provide enough memory for the most demanding trips. Additional Bluetooth and Wi-Fi capabilities allow simple file transfer between devices.



## REDESIGNED USER INTERFACE

The Scion OTM's polished user interface packs functionality into a rugged handheld optic

Intuitive controls and revamped internal menus allow quick thermal palette adjustments and provide easy access to new features such as picture-in-picture zoom, video recording, and GPS functionality. A rugged IP67-rated housing stands up to the elements and protects key hardware components.



## TRUSTED THERMAL DETECTION

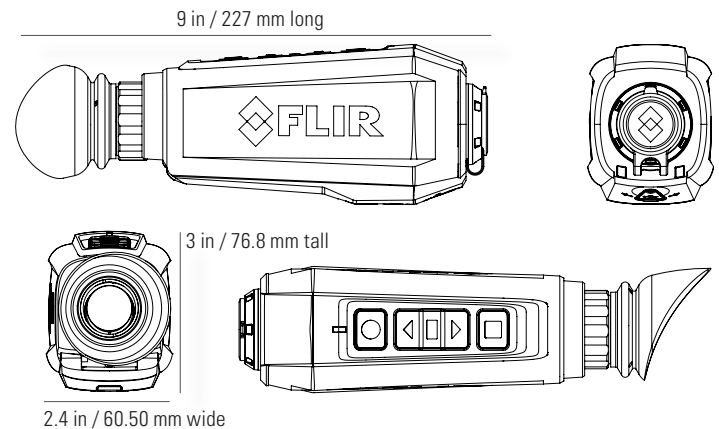
Powered by FLIR's breakthrough Boson thermal core

Able to perform at any time of day, thermal imaging pierces complete darkness, glaring light, and lingering haze to provide superior awareness in difficult conditions. The advanced image processing of FLIR's Boson thermal core paired with a 60 Hz image refresh rate provide smooth, unwavering vision in challenging environments.

## SPECIFICATIONS

General	Scion OTM136	Scion OTM236	Scion OTM266	Scion OTM366
Core Technology	BOSON 12 $\mu$ m VOx Microbolometer			
Detector Resolution	320 x 256		640 x 512	
Lens System	13.8 mm	18 mm		25 mm
Field of View (H x W)	16° x 12°	12° x 9°	24° x 18°	18° x 13°
Optical Magnification	1.5x	1.9x	1x	1.3x
Digital Zoom	1X   2X   4X		1X   2X   4X   8X	
Refresh Rate	60 Hz			
Video Recording	Yes			
Image Capturing	Yes			
Internal Memory	2 GB Internal Storage / Optional microSD™ Card (up to 128 GB)			
Focus	$\infty$		Manual	
Eye Relief	16 mm			
Display	Quad-VGA (1280x960) High definition display			
Display Focus	Manual			
<b>User Interface</b>				
Temperature Imaging Modes (Thermal Palettes)	White Hot; Black Hot; Iron Bow; Rainbow; Graded Fire; Lava			
Viewing Modes	Scouting, Picture-in-Picture			
Picture While Recording (PWR)	Yes			
Date/Time Stamp	Yes			
Auto Power OFF	Yes			
Magnetic Compass	Yes			
Accelerometer	Yes			
<b>Interfacing</b>				
USB Type	USB-C; Power In; Video Out; Video and Image File Transfer			
<b>Power</b>				
Battery Life	Up to 4.5 hours at 20°			
Battery Type	6x CR123A 3V Lithium Battery			

	Scion OTM136	Scion OTM236	Scion OTM266	Scion OTM366
<b>Communications</b>				
NFC (Near-Field Communications)	Yes			
Bluetooth™	BLE 4.1+			
Wi-Fi	Video Streaming			
GPS	No		Yes	
<b>Physical</b>				
Size	239 x 76.8 x 60.5 mm (9.4 x 3 x 2.4 in)		227 x 76.8 x 60.5 mm (9.4 x 3 x 2.4 in)	
Weight	With Batteries: 452 g; Without Batteries 572 g			
Color (Housing)	Green / Black			
Mounting	¼-20 Tripod Mount			



Specifications are subject to change without notice. For the most up-to-date specs, go to [www.flir.com](http://www.flir.com)

### FLIR OUTDOOR & TACTICAL SYSTEMS

9 Townsend West,  
Nashua, NH 03063

Phone: 1-888-959-2259  
or (603) 324-7600  
Fax: 1-888-959-2260

### FLIR PRODUCT REPAIR CENTER

email: [US\\_CBUrepair@flir.com](mailto:US_CBUrepair@flir.com)  
Register on: [customer.flir.com](http://customer.flir.com)

### ORDER PLACEMENT, RETURN TO STOCK & INQUIRIES

email: [OTS-Orders@flir.com](mailto:OTS-Orders@flir.com)

### PRODUCT REGISTRATION

[flir.com/support-center/support-hq/](http://flir.com/support-center/support-hq/)

### TECHNICAL SUPPORT

email: [US\\_CBUsupport@flir.com](mailto:US_CBUsupport@flir.com)

# InfrarotTec

## FLIR-Distribution

## FLIR-Infrarotkameras.de

Email: [info@infrarottec.de](mailto:info@infrarottec.de)

☎: +49 6041 962453 | 📠: +49 6041 962436

Im Steingarten 10 | D-63691 Ranstadt



The World's Sixth Sense®