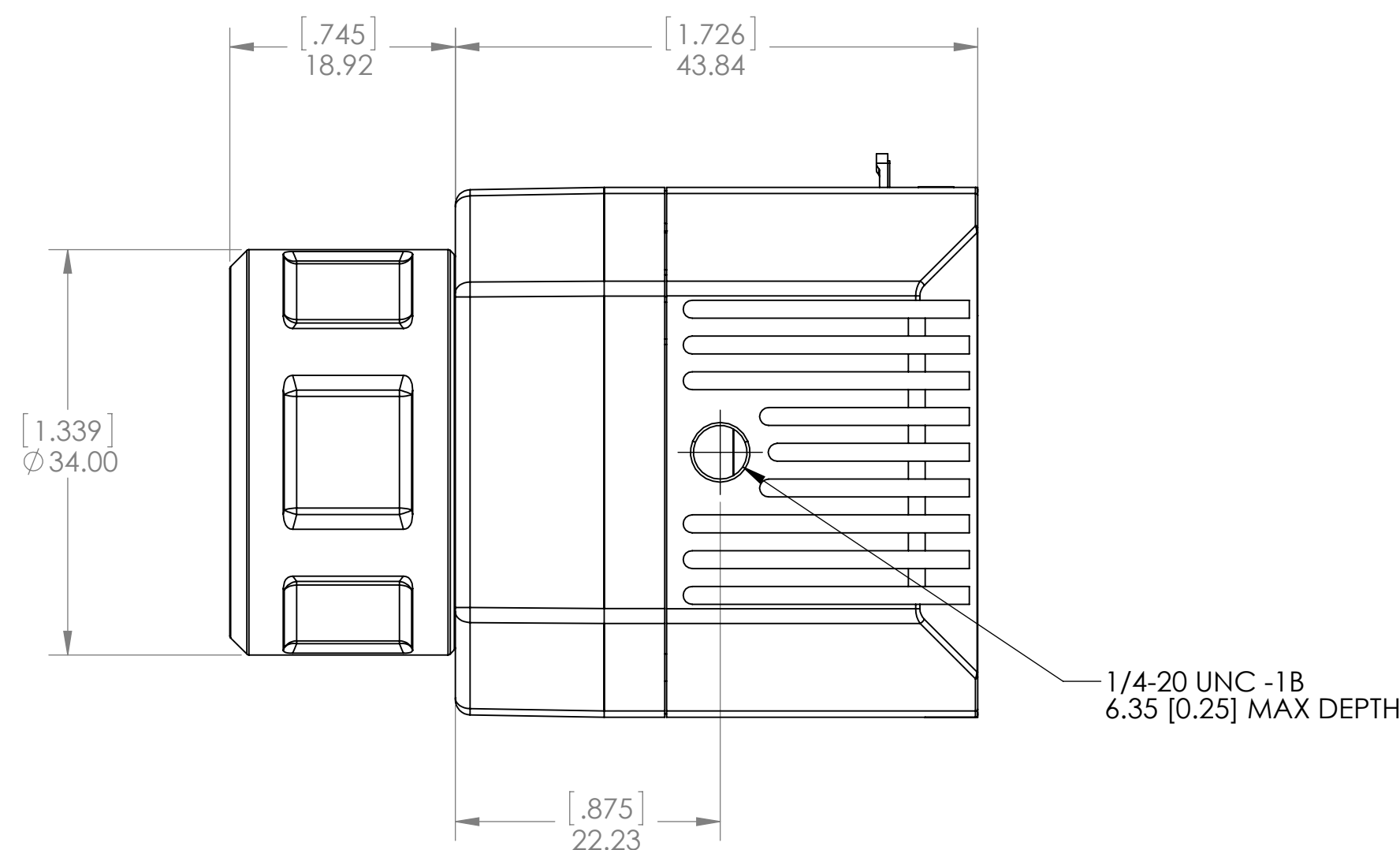


REVISIONS				
ZONE	REV	DESCRIPTION	DATE	APPROVED
	100	RELEASED PER ECN 127230	09/25/2015	MK

NOTES: UNLESS OTHERWISE SPECIFIED

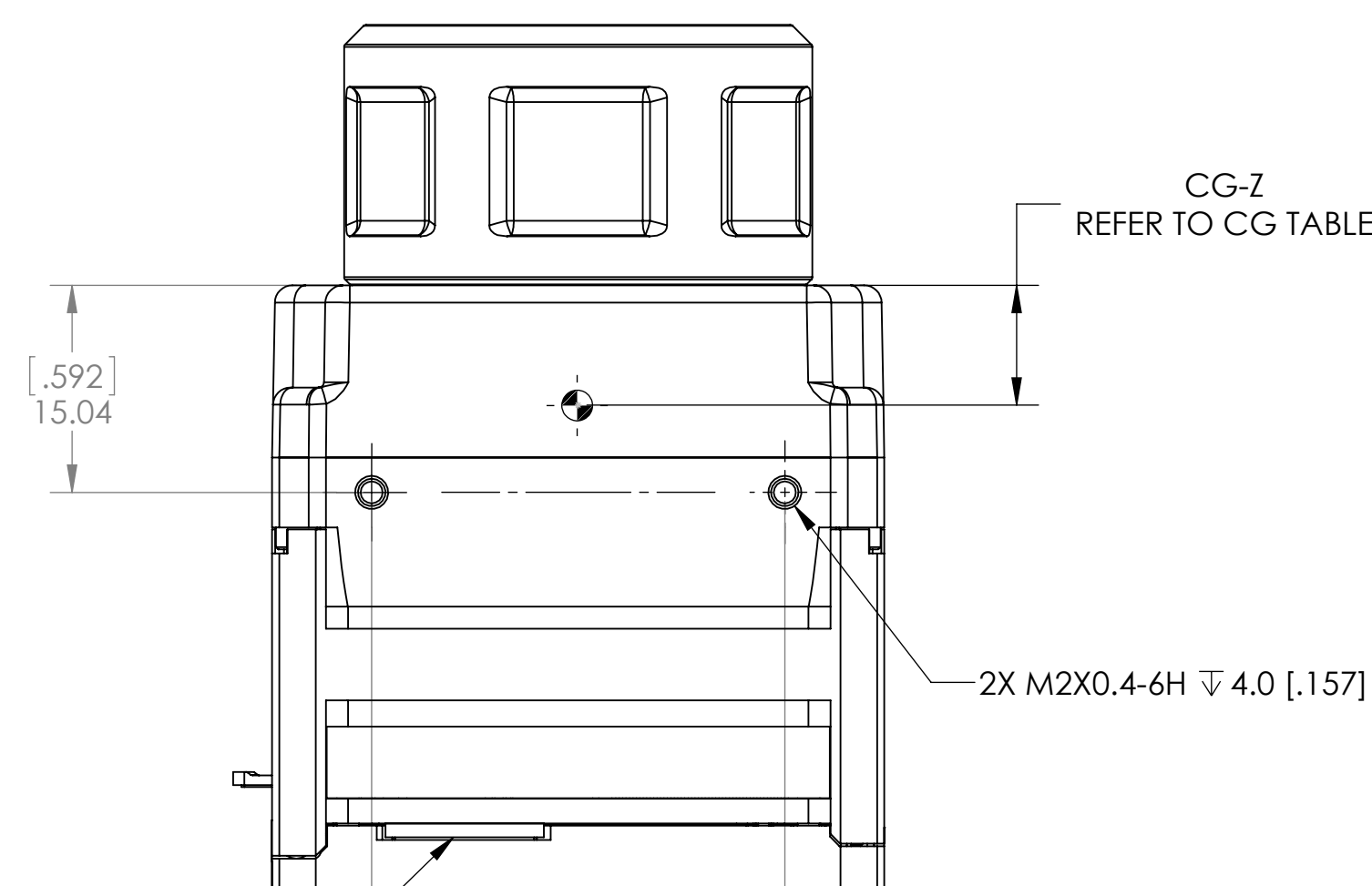
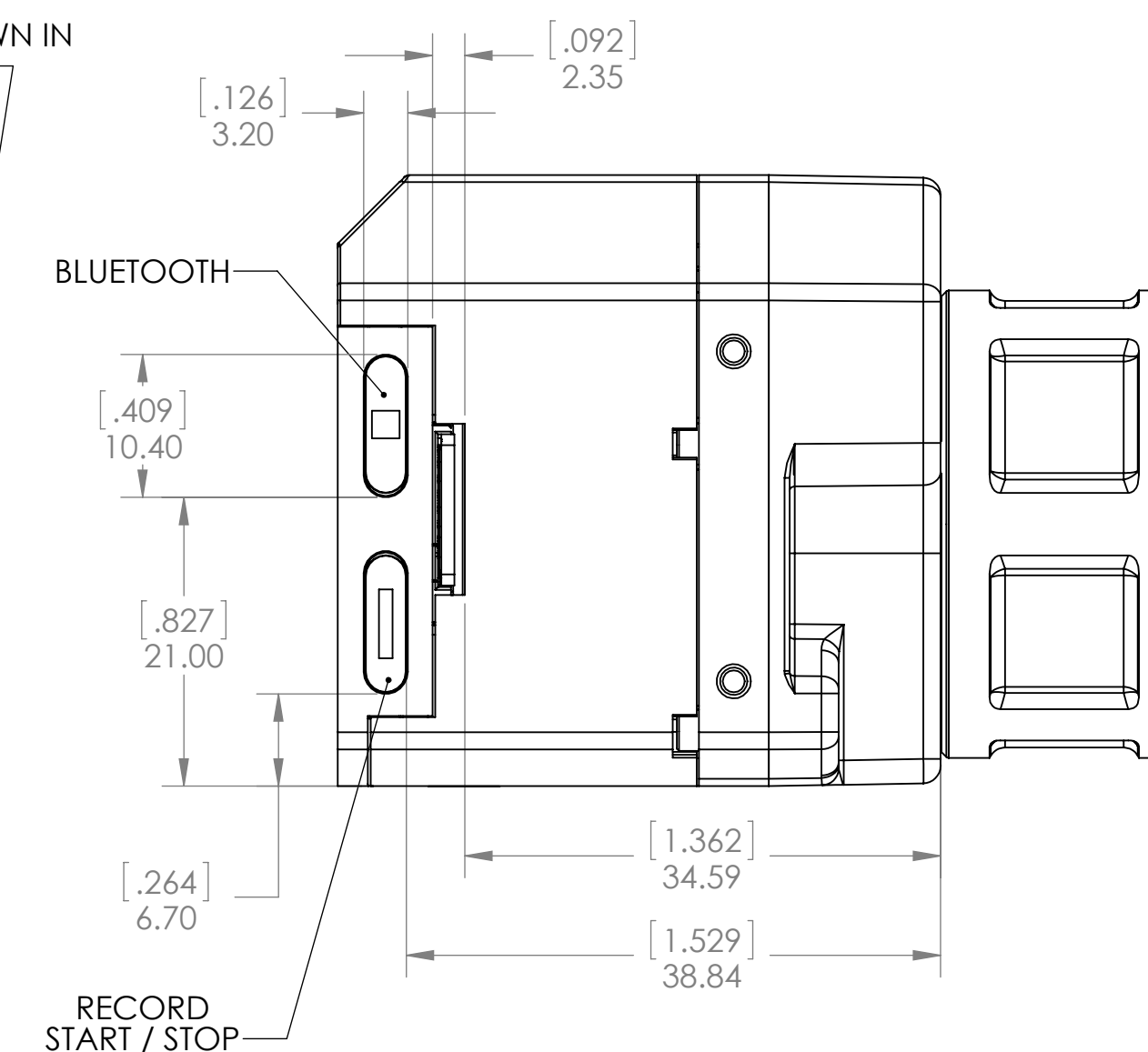
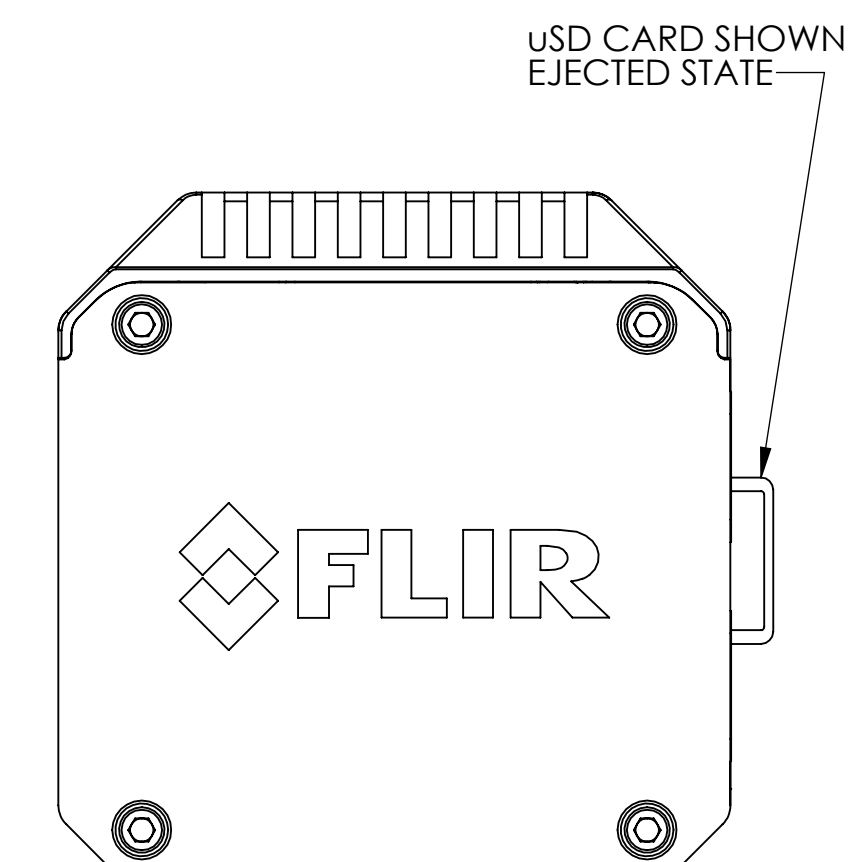
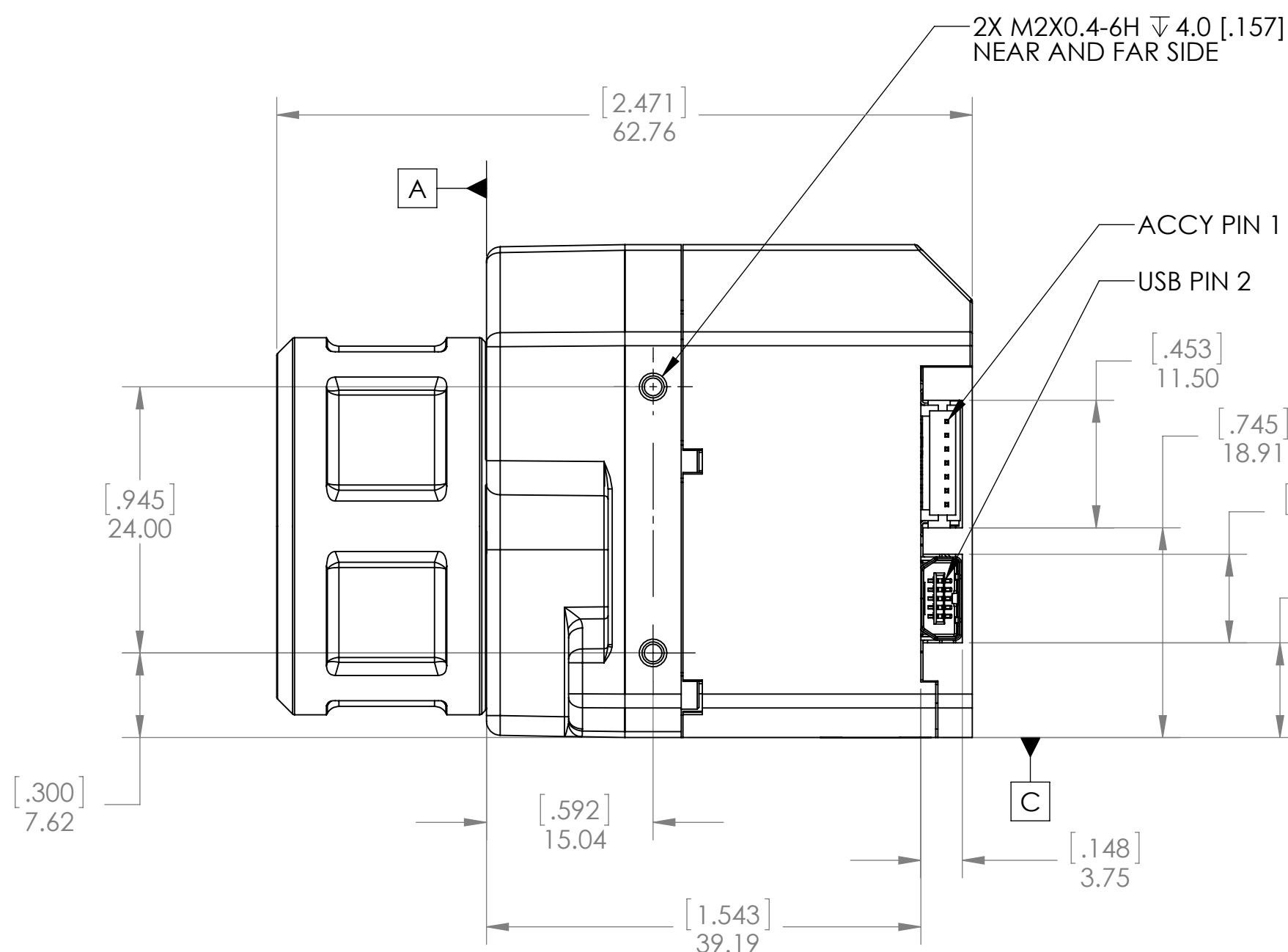
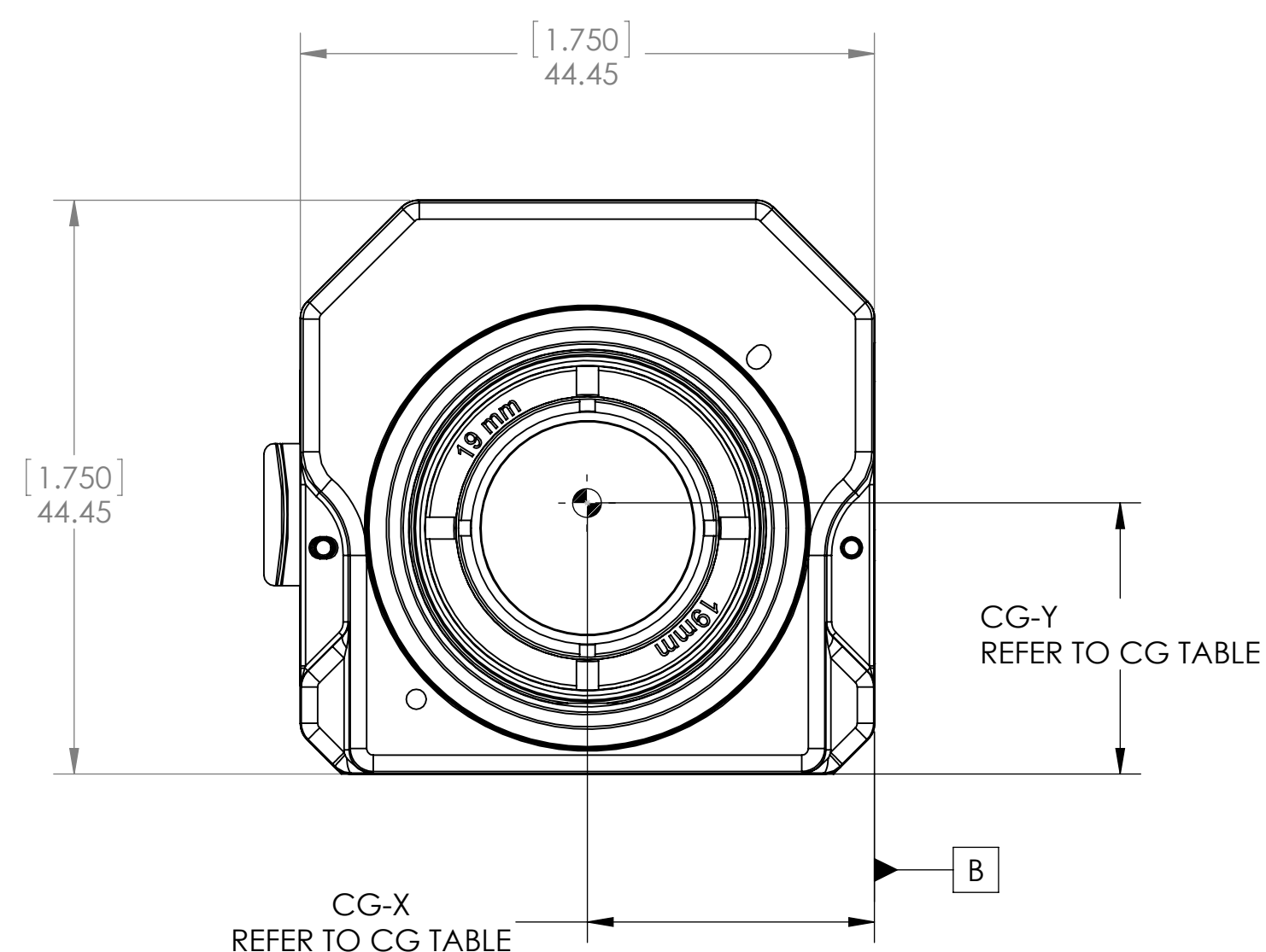
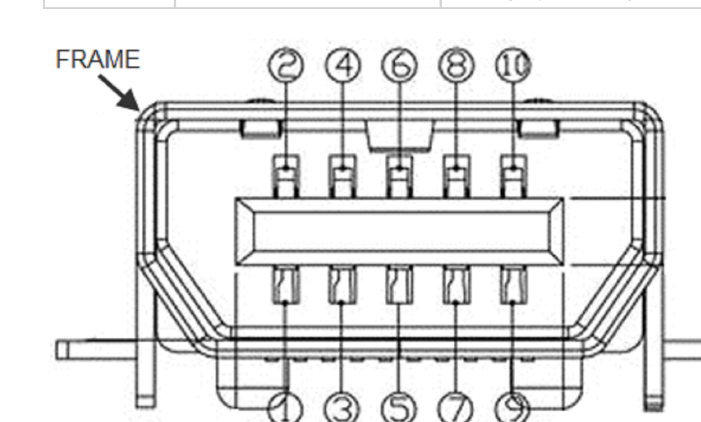
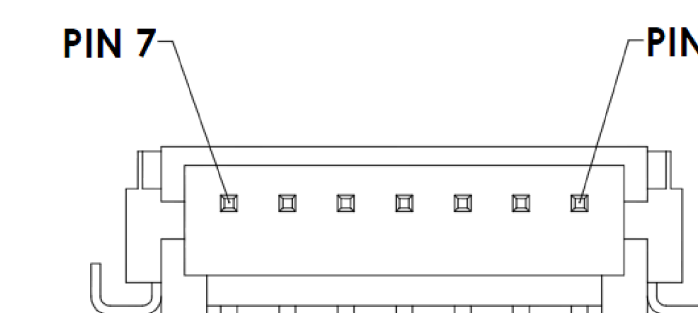
1. INDICATED DIMENSIONS ARE SUPPLEMENTS TO FLIR, IDD, TAU CAMERA DRAWING NUMBERS 46-336 AND 46-640 AVAILABLE ON FLIR WEB SITE
2. MODEL SHOWN ILLUSTRATES FLIR VUE, 19MM CONFIGURATION. ENVELOPE OF 6.8-19MM MODELS IDENTICAL.
3. CONNECTOR INTERFACE: USB MINI-AB RECEPTICLE, 10-PIN, GOPRO HERO 3/4 COMPATIBLE.
4. INPUT POWER RANGE 4-6VDC. EXCEEDING THIS SPECIFICATION WILL DAMAGE THE CAMERA AND VOID THE WARRANTY.
5. PART CAD GENERATED. ALL DIMENSIONS NOT SHOWN ARE DERIVED FROM SOLID MODEL.

CENTER OF GRAVITY POSITION							
	CG-X		CG-Y		CG-Z		MASS
	mm	[in]	mm	[in]	mm	[in]	g
<b>Vue Pro w/ Lens Nut</b>							
6.8mm	22.0	0.87	20.7	0.81	14.6	0.57	113
9mm	22.0	0.87	20.7	0.81	13.0	0.51	122
13mm	22.0	0.87	20.8	0.82	13.3	0.52	121
19mm	22.0	0.87	20.8	0.82	12.8	0.50	121
<b>Vue Pro w/o Lens Nut</b>							
6.8mm	22.0	0.87	20.7	0.81	17.1	0.67	101
9mm	22.0	0.87	20.7	0.81	14.6	0.57	110
13mm	22.0	0.87	20.8	0.82	15.4	0.61	109
19mm	22.0	0.87	20.8	0.82	15.1	0.59	109



7PIN mini-USB CONNECTOR		
Pin	Signal	WIRE COLOR
1	PWM_1	GRN
2	PWM_2	WHT
3	GND	BLK
4	PWM_3	ORG
5	GND	BLK
6	PWM_4	BLU
7	GND	BLK

10PIN mini-USB CONNECTOR		
Pin	Signal	Notes
1	-	NO CONNECT
2	MAIN_PWR	4-6 VDC
3	-	NO CONNECT
4	DATA_L	USB PIN 2, GRN
5	VIDEO_L	D_GND
6	DATA_H	USB PIN 3, GRN
7	VIDEO_H	75Ω IMPEDANCE
8	-	NO CONNECT
9	-	NO CONNECT
10	MAIN_PWR_RTN	POWER GROUND
FRAME	DRAIN	TO CABLE SHIELD

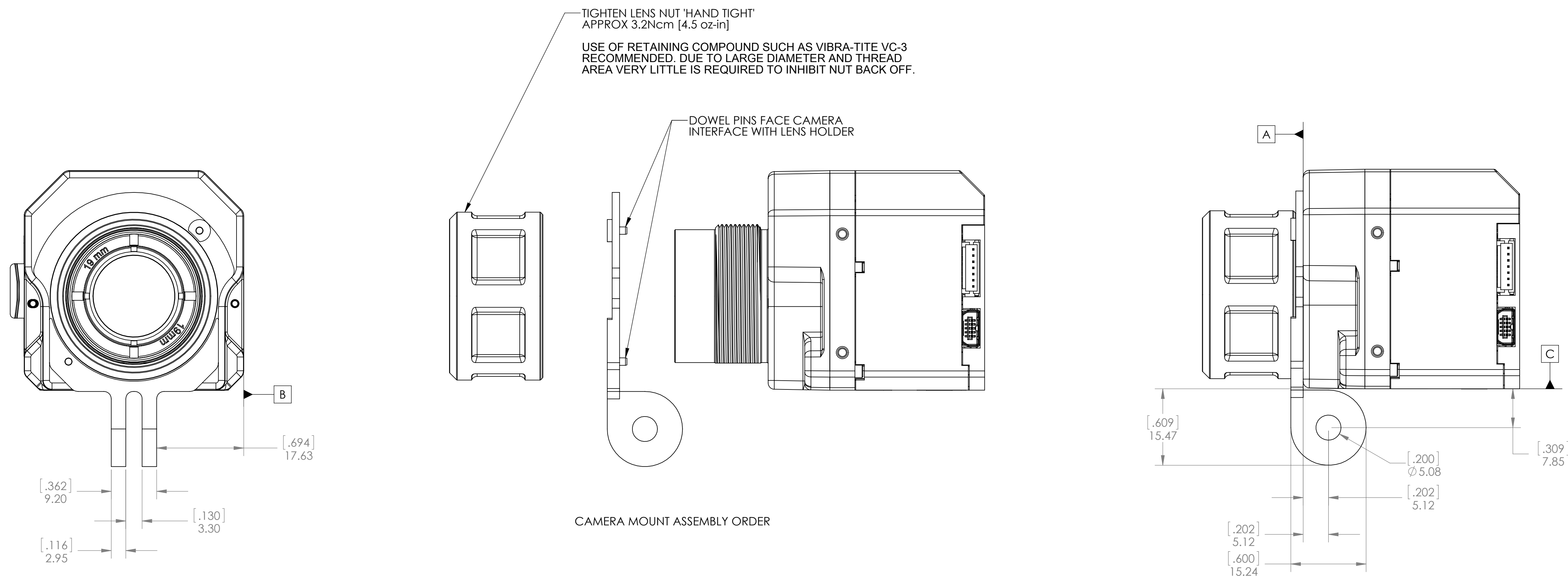


BLUETOOTH RADIO ANTENNA. OBSTRUCTION OF REAR COVER WILL REDUCE BT PERFORMANCE AND RANGE.

THIRD ANGLE PROJECTION		FLIR SYSTEMS, INC.			
METRIC		EAR LEVEL 1. NOT CONTROLLED FOR EXPORT PURPOSES.			
INTERPRET DRAWING PER ASME Y14.5M-1994	MATERIAL	PROJECT NO.	APPROVALS		DATE
	FINISH	DWN	CHK		
UNLESS OTHERWISE SPECIFIED SURFACE ROUGHNESS .8 μm X = ±.25 XX = ±.13 ANGULAR = ±.5° FILLET RADII = .13 MAX	UNLESS OTHERWISE SPECIFIED ALL MEASUREMENTS ARE IN MM. ALL DIMENSIONS IN ( ) ARE INCHES. DO NOT SCALE DRAWING.	DSON	ENG		DATE
	SCALE	CAGE	DWG NO.	REV	
	SCALE	PRINTED	SHEET	OF	

NOTES: UNLESS OTHERWISE SPECIFIED

- 1. INDICATED DIMENSIONS ARE SUPPLEMENTS TO FLIR, IDD, TAU CAMERA DRAWING NUMBERS 46-336 AND 46-640 AVAILABLE ON FLIR WEB SITE
- 2. MODEL SHOWN ILLUSTRATES FLIR VUE, 19MM CONFIGURATION. ENVELOPE OF 6.8-19MM MODELS IDENTICAL.
- 3. CONNECTOR INTERFACE: USB MINI-AB RECEPTACLE, 10-PIN, GOPRO HERO 3/4 COMPATIBLE.
- 4. INPUT POWER RANGE 4-6VDC. EXCEEDING THIS SPECIFICATION WILL DAMAGE THE CAMERA AND VOID THE WARRANTY.
- 5. PART CAD GENERATED. ALL DIMENSIONS NOT SHOWN ARE DERIVED FROM SOLID MODEL.



CAMERA MOUNT ASSEMBLY ORDER

IDD, FLIR VUE PRO, 9Hz

METRIC

EAR LEVEL 1 - FLIR SYSTEMS, INC.



FLIR Systems, Inc.  
70 Castilian Drive  
Goleta, CA 93117

SIZE D	CAGE 064Y2	PIECE PART: 436-0013-19	REV 100
SCALE 2:1	PRINTED: 9/29/2015	SHEET 2 OF 2	

SOLIDWORKS MODEL: 436-0013-00 FLIR VUE PRO ASSEMBLY  
MODEL REVISION: 100