



Notice to customer Flir K series In-truck charger

Copyright

© 2013, Flir Systems, Inc.

All rights reserved worldwide. Names and marks appearing herein are either registered trademarks or trademarks of Flir Systems and/or its subsidiaries. All other trademarks, trade names or company names referenced herein are used for identification only and are the property of their respective owners.

Document identity

Publ. No.: T559801
Commit: 6533
Head: 6533
Language: en-US
Modified: 2013-02-20
Formatted: 2013-02-20

Corporate Headquarters

Flir Systems, Inc.
27700 SW Parkway Ave.
Wilsonville, OR 97070
USA
Telephone: +1-503-498-3547

Website

<http://www.flir.com>

Customer support

<http://support.flir.com>

Legal disclaimer

Specifications subject to change without further notice. Camera models and accessories subject to regional market considerations. License procedures may apply. Products described herein may be subject to US Export Regulations. Please refer to exportquestions@flir.com with any questions.



T559801

Table of contents

1 Introduction	1
2 Parts and functions.....	2
3 Choosing a suitable position.....	2
4 Recommended cable area and fuse.....	2
5 Mounting instructions.....	3
6 Charging the camera	3
7 Charging a battery separately	3
8 Technical data.....	3
9 Cleaning	4
10 Customer support	4

1 Introduction



Thank you for choosing the Flir K series in-truck charger from Flir Systems.

The in-truck charger is intended to be mounted on a flat surface in the cab, in one of the equipment lockers, or in another suitable compartment on the fire engine. The in-truck charger has five ports for cable routing—one through the rear of the metal bracket and one port on each side of the in-truck charger.

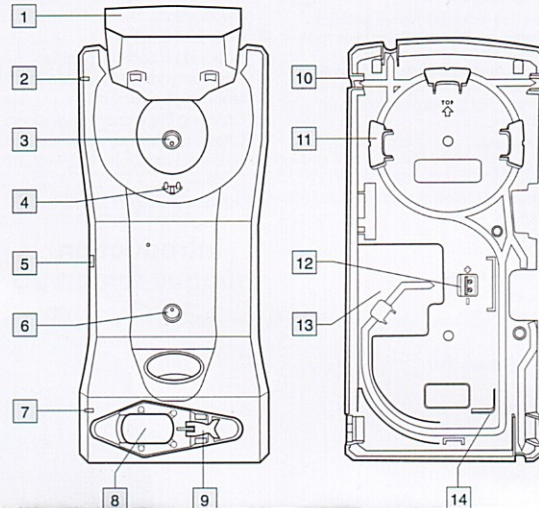
The in-truck charger can also be powered using a standard Flir Systems power supply, and has a battery charger located at the lower front of the unit.



Notice to customer Flir K series In-truck charger

© 2013, Flir Systems, Inc.
#T559801; r. 6533/6533; en-US

2 Parts and functions



1. Top cover.
2. LED indicator for the camera charger.
3. Hole for attaching the charger housing to the metal bracket.
4. Connectors in the cradle.
5. Connector to power the charger using a standard Flir Systems power supply.
6. Hole for attaching the charger housing to the metal bracket.
7. LED indicator for the battery charger.
8. Battery slot.
9. Eccentric latch to secure the battery during charging.
10. Cable port (1 of 4).
11. Routing support.
12. 12–24 VDC cable plinth.
13. Recess for the cable.
14. Routing support.

3 Choosing a suitable position

Before mounting the in-truck charger, take a few minutes to think about a suitable position.

The mounting position should be protected from rain and road splash, and it should be reasonably easy to install a permanent cable running from the fire engine's 12–24 VDC system to the in-truck charger.

Additional considerations may be important, e.g., getting access to panels and equipment behind the in-truck charger.

4 Recommended cable area and fuse

Cable area	1.5 mm ² (No. 15 AWG)
Fuse	5 A



Notice to customer Flir K series In-truck charger

© 2013, Flir Systems, Inc.
#T559801; r. 6533/6533; en-US

5 Mounting instructions

Follow this procedure:

1. Permanently install a cable running from the fire engine's 12–24 VDC system to the selected mounting position of the in-truck charger. Do not connect this cable to the 12–24 VDC system at this time. The routing must include a fuse installed close to the battery. See above for the fuse recommendation.
2. Remove the two screws that hold the metal bracket.
3. Remove the metal bracket.
4. Use the metal bracket as a template to mark where the mounting holes should be drilled.
5. Drill the holes.
6. Mount the metal bracket using the rivets and/or screws that come with the in-truck charger.
7. Connect the cable to the cable plinth on the rear of the in-truck charger.

Note

Take note of the polarity when you connect the cable to the cable plinth.

8. Route the cable so that it exits through the cable port of your choice.
9. Mount the in-truck charger to the metal bracket using the two screws that you removed in Step 2. above.
10. Permanently connect the cable to the fire engine's 12–24 VDC system.

6 Charging the camera

Follow this procedure:

1. Pull up the top cover of the in-truck charger.
2. Push the camera into position.
3. Push down the top cover.
The charging of the camera has now started, and is finished when the blue light glows continuously. Charging a fully depleted camera takes approximately 4 hours.

7 Charging a battery separately

Flir K series batteries can be charged separately using the battery charger at the lower front of the unit.

Follow this procedure:

1. Pull the eccentric latch on the bottom of the camera.
2. Pull out the battery from the camera.
3. Push the battery into the slot at the lower front of the charger.
4. Secure the battery using the eccentric latch on the charger.
The charging of the battery has now started, and is finished when the blue light glows continuously. Charging a fully depleted battery takes approximately 4 hours.

8 Technical data

Dimensions (height × width × depth)	380 mm × 180 mm × 153 mm (15" × 7.1" × 6")
Weight	2.2 kg (4.8 lb)
Power input	12–24 VDC
Charging time (camera)	≈ 4 hours
Charging time (separate battery)	≈ 4 hours



Notice to customer Flir K series In-truck charger

© 2013, Flir Systems, Inc.
#T559801; r. 6533/6533; en-US

Maximum current	3 A
Nominal current	2.3 A

9 Cleaning



CAUTION

Disconnect the in-truck charger from the fire engine's 12-24 VDC system before cleaning.

The in-truck charger can be cleaned using warm water or a weak detergent solution. Do not use solvents or similar liquids.

10 Customer support

Should you experience any problems, do not hesitate to contact our Customer Support at <http://support.flir.com>.

InfrarotTec
Wärmebildkameras

Joti Tsolakidis
Zertifiziert DIN EN473 IT Level2
Elektro - Industrie - Gebäude

Email: info@infrarottec.de
Tel.: 06041 962453
Mobil: 0171 3677618

FLIR
Official Distributor

Im Steingarten 10
D-63691 Ranstadt
www.FLIR-Infrarotkameras.de / www.infrarottec.de